



Electric

Moremi Overland 'EXTREME LITE' Rooftop Tent

User Manual

Please read this user manual before installing



Please unfasten all LATCHES before opening

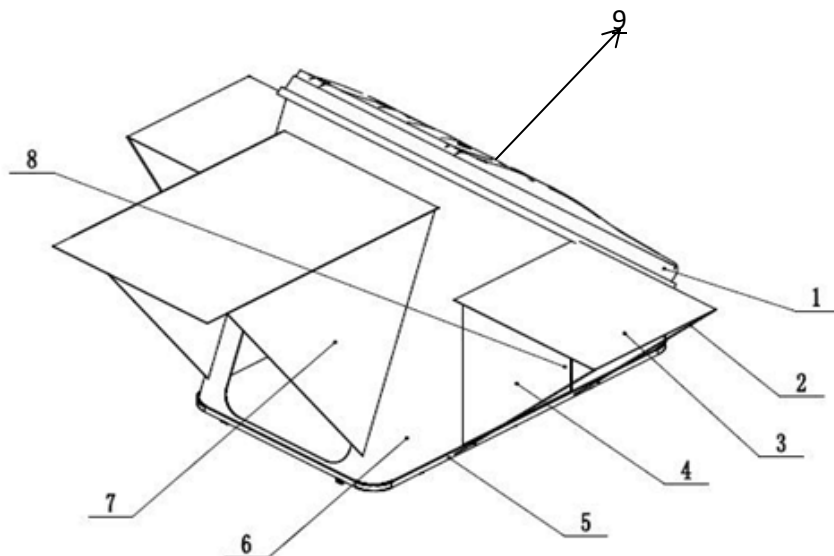
Warnings

- Only connect the tent to 12Volt DC.
- Check the power cable for damage before use.
- Make sure the power cable is disconnected before driving.
- The tent must be firmly installed and properly closed before driving.
- Don't overload roof bars.
- Make sure there are no obstacles around the tent before opening.
- Keep the tent away from fire and heat sources to prevent damage.
- If any part of the tent is damaged, contact the retailer for spare parts. Please don't replace them with third party products.
- Adjust the angle and height of the ladder and confirm each segment is secured before use.
- Fasten all latches to ensure the shell is closed firmly.
- If you hear any abnormal sound while driving, please stop and check immediately.
- There is no need to use force or handle any part of the tent roughly. To prevent unnecessary damage, if you find it hard to operate please resolve the underlying issue instead of forcing it.
- The fabric must be laid over the top of the arms when closing. Pushing fabric under the arms after closing will cause damage and allow the fabric to blow out when driving.

Overview

| | |
|-----------------------------|---|
| Product | Electric Rooftop Tent |
| Product Size | 215 cm x 140 cm (L x W) |
| Sleeps | 2-3 People |
| Roof | ABS (Black, Charcoal, Light Grey, White) |
| Material | Ripstop (Sand) with PU, Waterproof, Anti UV |
| Frame | Aluminum Alloy |
| Open/Close | Electric Lifting |
| Input | 12 Volt 10 Amp |
| Product Weight | Approximately 44 kg Excluding Ladder |
| Maximum load Tent Roof Bars | 20 kg when closed |

Components



- 1. Roof
- 2. Prop strip
- 3. Side Rain Awning
- 4. Mattress
- 5. Bottom
- 6. Textile
- 7. Rear Rain Awning
- 8. Lifting Structure
- 9. Carrying Devices with tent roof racks

Installation

The Rooftop tent must be installed on a minimum of two cross bars or a full roof rack. You are responsible to stay within the rated weight limits for the cross bars or roof rack and within the limits of the vehicle.

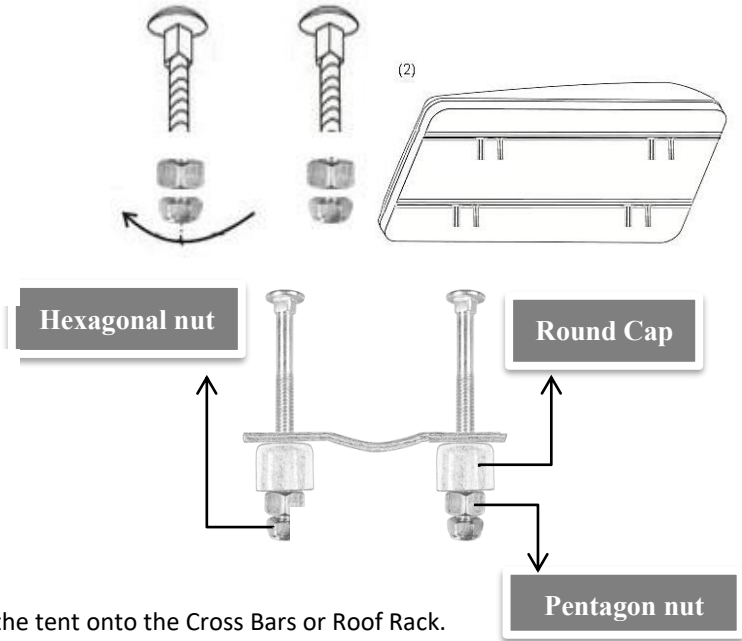
Installation of the Tent Roof Bars

1. Take the anti-theft wrench, the bolts, the brackets and the bars from inside tent.
2. Confirm the required distance of the two bars based on what you plan to carry.
3. Install the brackets on the roof slots using the M8*20 mm bolts and the wrench.
4. Install the bar on the brackets by using the M8*40 mm bolts and the wrench's hexagonal side.
5. Install the other side's brackets and bar in the same way while making sure to keep the correct distance between the two bars.

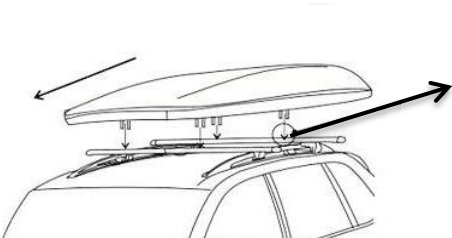


Installation of the Rooftop Tent

1. Take the bolts and remove the nuts.
2. Slide the bolts into the rails on the bottom of the tent. You'll need 8 bolts.



3. Lift the tent onto the Cross Bars or Roof Rack.
Make sure the bolts are on either side of the cross bars or around a structural section of the roof rack. The slim side of the tent should be facing forward.
4. Add the steel plates over the bolts and then slide the round cap* onto the bolt.
5. Fasten the pentagon nut with the wrench's pentagon side.
6. Fasten the hexagonal nut with the wrench's hexagonal side.



7. Re-check all bolts and nuts after installation and make sure they are all tight and secure before driving the vehicle.
8. Check the mounting bolts regularly during your trip.

*The round caps are an anti-theft device only and using them is optional.

Opening and Closing

Opening

1. Undo all the Latches (4 pcs). **Skipping this step will damage your tent.**
2. Take the DC adaptor and plug it into the connector under the tent.
3. Plug the other side of the DC adaptor into the vehicle's cigarette lighter.
4. Press the UP button on the remote. The tent will stop automatically when it's completely open. **If there is any abnormal sound whilst opening the tent press the pause button on the remote and check what is wrong before continuing.**
5. Hang the ladder on the hooks of the tent frame.
6. Set up the awnings on each side and the rear by 6 awning rods.
7. Take the shoe bag and hang it on the side of the tent.

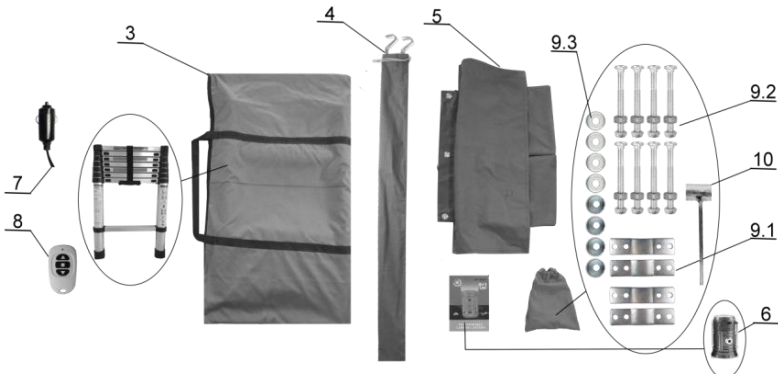
Closing

1. Remove the 6 Awning rods, shoe bag and ladder.
When storing these items inside the tent make sure to cover them with something soft to prevent them from moving while driving and damaging the lining of the tent.
2. Take the DC adaptor and plug it into the connector under the tent.
3. Plug the other side of the DC adaptor into the vehicle's cigarette lighter.
4. Pay close attention to the canvas during closing.
5. When there is only about a 6cm gap left, pause it by pressing the pause button on the remote and tidy the canvas into the tent, the fabric must be laid over the top of the arms when closing. **Pushing fabric under the arms after closing will cause damage and allow the fabric to blow out when driving.**
6. Continue the closure of the tent by pressing the down button on the remote.
7. Fasten the Latches after the tent is completely closed.

Troubleshooting

| Malfunction | Reason | Solution |
|-----------------------------------|---|--|
| Tent won't open | No power in vehicle's cigarette lighter | Start the engine |
| | Adaptor is not connected correctly | Re-connect adaptor |
| | Adaptor's electrical wire is broken | Check the wire for damage and reconnect the wires |
| | Mechanical Fault | Contact your retailer for repair or replacement |
| Remote does not work | Flat battery | Change battery |
| | Tent is not connected to power | Follow the steps of "Won't open" |
| | Power and connection are well, but the remote does not work | Use the button on the adaptor cord and contact your retailer for repair or replacement of remote |
| | Remote is damaged | Use the button on the adaptor cord and contact retailer for repair or replacement of remote |
| Arms are only lifting on one side | Side latch is not undone | Undo the side latch |
| | One of the arms is damaged | Contact your retailer for repair or replacement |
| Abnormal sound while driving | Side Latches are loose | Redo the latches |
| | Bolts are loose | Stop the vehicle and check nuts and bolts |
| | Abnormal sound on Tent Roof Bars | Stop the vehicle and check nuts and bolts. If the nuts and bolts are secure, seal them with packing tape |
| | Structure Problems | Contact your retailer for repair or replacement |

What's in the carton?



| Item | Qty | Remark | |
|---|---|--------|----------------------|
| 1 | Electric Rooftop Tent | 1 unit | |
| 2 | Mattress | 1 unit | |
| 3 | Telescopic Ladder (230 cm) | 1 unit | In bag |
| 4 | Awning struts (φ6 x 110 cm) | 6 pcs | In bag |
| 5 | Shoe bag | 1 pc | For 2 pairs of shoes |
| 6 | Solar LED light | 1 pc | In box |
| 7 | Adaptor | 1 pc | |
| 8 | Remote | 1 pc | Battery included |
| 9 | Mount (details as follows): | | |
| 9.1 | 4 x Steel plates 8 x Bolts | 1 set | |
| 9.2 | 16 x Nuts (each bolt should use two different nuts) | | In bag |
| 9.3 | 8 x Round Cap | | |
| 10 | Anti-theft Wrench | 1 pc | |
| Tent roof racks and its accessories: | | | |
| 2 x Bars | | | |
| 8 x 20mm length nuts and bolts | | | |
| 4 x 40mm length nuts and bolts | | | |
| 4 x Brackets | | | |