



Manual

Moremi Overland 'EXTREME LITE' Rooftop Tent

User Manual

Please read this user manual before installing



Please fasten all LATCHES before driving

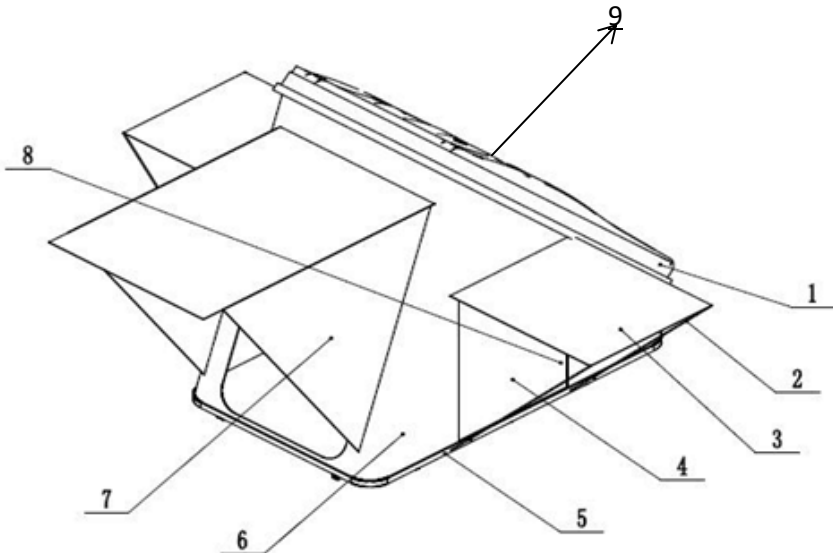
Warnings

- The tent must be firmly installed and properly closed before driving.
- Don't overload roof bars.
- Make sure there are no obstacles around the tent before opening.
- Keep the tent away from fire and heat sources to prevent damage.
- If any part of the tent is damaged, contact the retailer for spare parts. Please don't replace them with third party products.
- Adjust the angle and height of the ladder and confirm each segment is secured before use.
- Fasten all latches to ensure the shell is closed firmly.
- If you hear any abnormal sound while driving, please stop and check immediately.
- There is no need to use force or handle any part of the tent roughly. To prevent unnecessary damage, if you find it hard to operate please resolve the underlying issue instead of forcing it.
- The fabric must be laid over the top of the arms when closing. Pushing fabric under the arms after closing will cause damage and allow the fabric to blow out when driving.

Overview

Product	Manual Rooftop Tent
Product Size	215 cm x 140 cm (L x W)
Sleeps	2-3 People
Roof	ABS (Black, Charcoal, Light Grey, White)
Material	Ripstop (Sand) with PU, Waterproof, Anti UV
Frame	Aluminum Alloy
Open/Close	Gas Strut Lifting
Product Weight	Approximately 42 kg Excluding Ladder
Maximum load Tent Roof Bars	20 kg when closed

Components



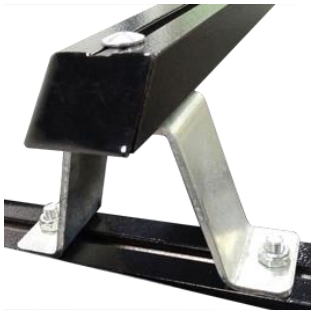
- 1. Roof
- 2. Prop strip
- 3. Side Rain Awning
- 4. Mattress
- 5. Bottom
- 6. Textile
- 7. Rear Rain Awning
- 8. Lifting Structure
- 9. Carrying Devices with tent roof racks

Installation

The Rooftop tent must be installed on a minimum of two cross bars or a full roof rack. You are responsible to stay within the rated weigh limits for the cross bars or roof rack and within the limits of the vehicle.

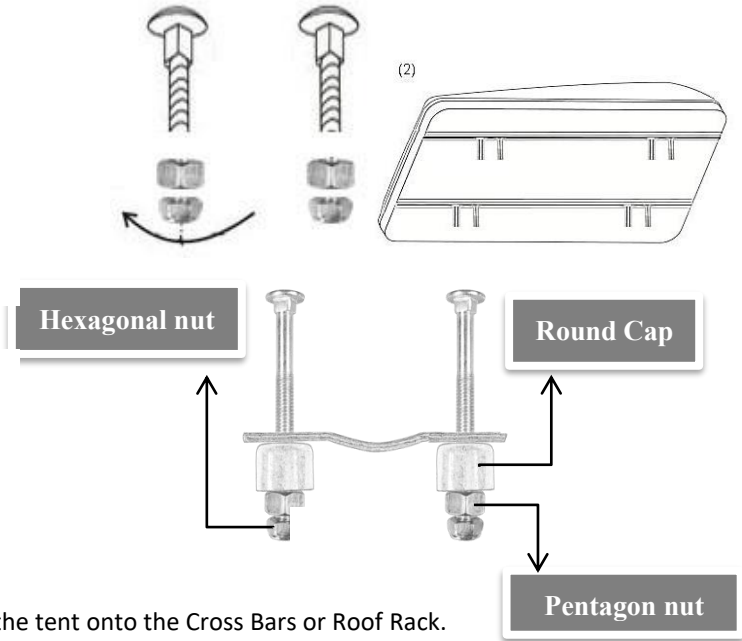
Installation of the Tent Roof Bars

1. Take the anti-theft wrench, the bolts, the brackets and the bars from inside tent.
2. Confirm the required distance of the two bars based on what you plan to carry.
3. Install the brackets on the roof slots using the M8*20 mm bolts and the wrench.
4. Install the bar on the brackets by the M8*40 mm bolts using the wrench's hexagonal side.
5. Install the other side's brackets and bar in the same way while making sure to keep the correct distance between the two bars.



Installation of the Rooftop Tent

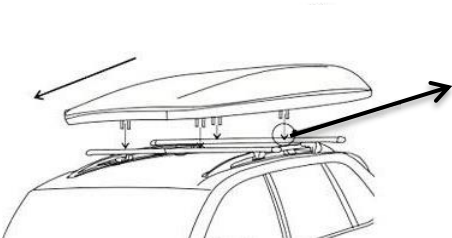
1. Take the bolts and remove the nuts.
2. Slide the bolts into the rails on the bottom of the tent. You'll need 8 bolts.



3. Lift the tent onto the Cross Bars or Roof Rack.

Make sure the bolts are on either side of the cross bars or around a structural section of the roof rack. The slim side of the tent should be facing forward.

4. Add the steel plates over the bolts and then slide the round cap* onto the bolt.
5. Fasten the pentagon nut with the wrench's pentagon side.
6. Fasten the hexagonal nut with the wrench's hexagonal side.



7. Re-check all bolts and nuts after installation and make sure they are all tight and secure before driving the vehicle.
8. Check the mounting bolts regularly during your trip.

*The round caps are an anti-theft device only and using them is optional.

Opening and Closing

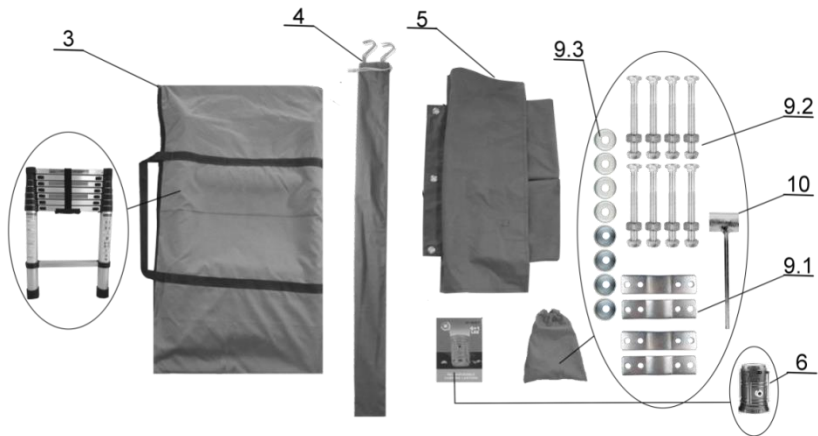
Opening

1. Undo all the Latches (4 pcs).
2. Push the shell up on the rear side.
3. Hang the ladder on the hooks of the tent frame.
4. Set up the awnings on each side and the rear by 6 awning rods.
5. Take the shoe bag and hang it on the side of the tent.

Closing

1. Remove the 6 Awning rods, shoe bag and ladder.
When storing these items inside the tent make sure to cover them with something soft to prevent them from moving while driving and damaging the lining of the tent.
2. Pull the belts down on the rear side.
3. The fabric must be laid over the top of the arms when closing.
Pushing fabric under the arms after closing will cause damage and allow the fabric to blow out when driving.
4. Fasten the Latches after the tent is completely closed.

What's in the carton?



Item	Qty	Remark
1 Manual Rooftop Tent	1 unit	
2 Mattress	1 unit	
3 Telescopic Ladder (230 cm)	1 unit	In bag
4 Awning struts (φ6 x 110 cm)	6 pcs	In bag
5 Shoe bag	1 pc	For 2 pairs of shoes
6 Solar LED light	1 pc	In box
9 Mounts (details as follows):		
9.1 4 x Steel Plates 8 x Bolts	1 set	
9.2 16 x Nuts (each bolt should use two different nuts)		In bag
9.3 8 x Round Cap		
10 Anti-theft Wrench	1 pc	
Tent roof racks and its accessories: 2 x Bars 8 x 20mm length nuts and bolts 4 x 40mm length nuts and bolts 4 x Brackets		